



Clean Liquid Systems, LLC
 7422 Kearney Hill Lane
 Spring, TX 77389
 Phone# 713-253-0100 / 713-253-5001
 dpalermo@cleanliquidsystems.com
 don@cleanliquidsystems.com

Multi-Housing Series

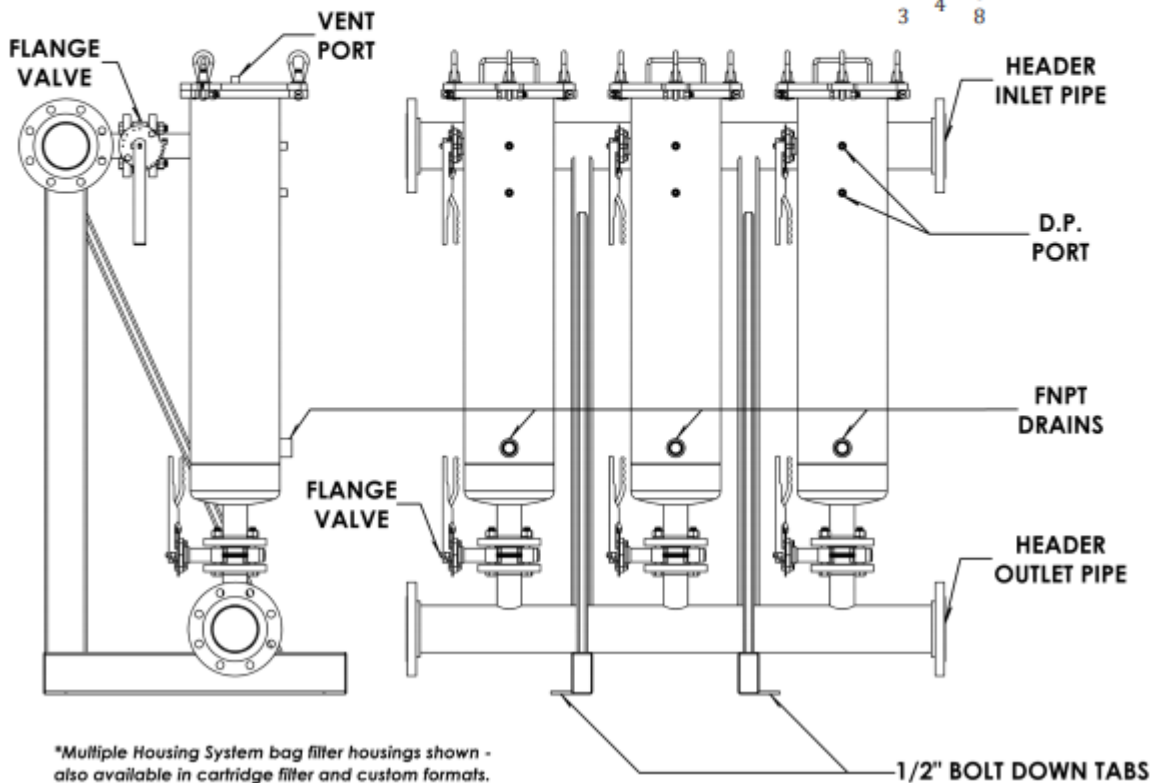
SB8HB22F4B15 **MH** **3** **4F**

Housing
Bottom Outlet / Flanged configurations are Standard.

Multi-Housing

No. of HB2 Housings

Header Pipe Type / Size (inches)
 F = Flange
 2 4 6
 3 4 8



Header Pipe Add-on

2" Carbon	2" 304SS	3" Carbon	3" 304SS	4" Carbon	4" 304SS	6" Carbon	6" 304SS	8" Carbon	8" 304SS
--------------	-------------	--------------	-------------	--------------	-------------	--------------	-------------	--------------	-------------



Clean Liquid Systems, LLC

7422 Kearney Hill Lane

Spring, TX 77389

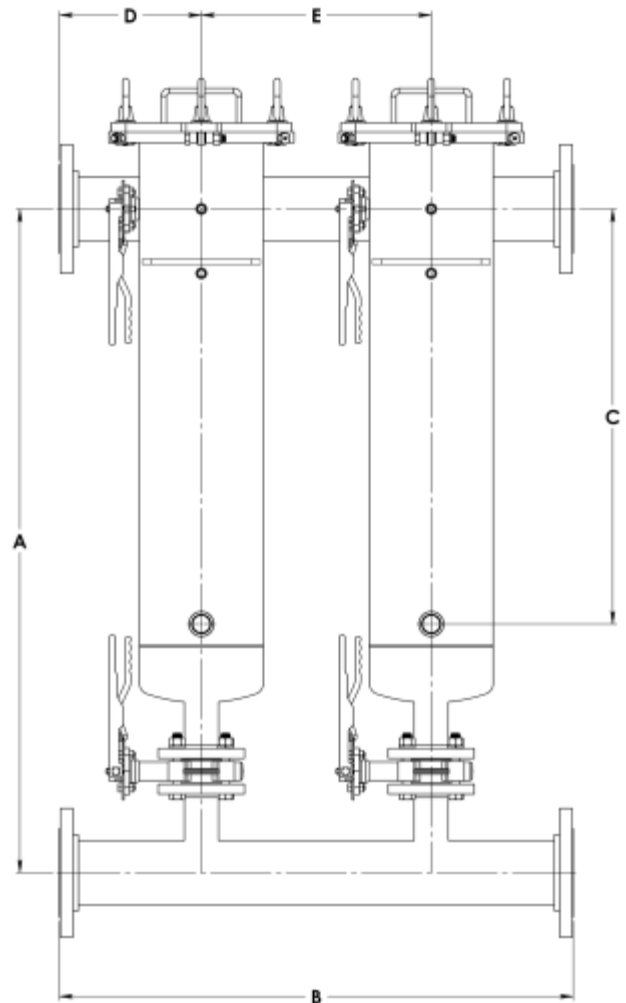
Phone# 713-253-0100 / 713-253-5001

dpalermo@cleanliquidsystems.com

don@cleanliquidsystems.com



SB8HB212FCB15-MH244FC



SB8HB212FCB15-MH24FC								
HOUSING	BAG SIZE	CONNECTION SIZE	DIMENSIONS					
			UNIT	A	B	C	D	E
SB8HB2-MH2	2	2"	IN	46.4	35.8	29	9.9	16
			CM	118	91	74	25	41

To determine **Total Width "B"** of Multi-Housing units containing a number of housings more than two, simply add 16in. for each subsequent housing to 35.8in. (**Total Width "B" of two housing units**).